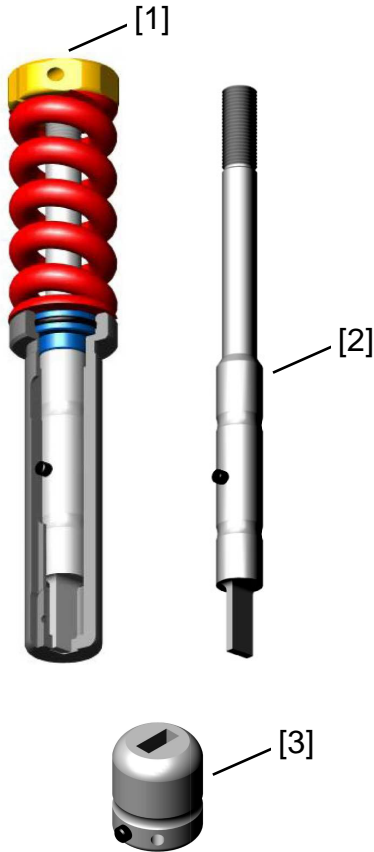


**AMADA STYLE**



**Shapes**

[1] Punch & Guide Assembly .....	AA100-XXX
[2] Punch Only.....	AA101-XXX
Guide Only .....	AA112-XXX
[3] Die .....	AA106-XXX

**Rounds**

Punch & Guide Assembly .....	AA200-000
Punch Only.....	AA201-000
Guide Only .....	AA212-000
Die .....	AA206-000

**Assembly Parts**

Super Locking Head.....	AA214-000
Stripping Spring.....	AA203-000
0 to 3mm Punch Shim Collar .....	AA215-NEW
1 to 2mm Punch Shim Collar .....	AA215-1&2MM
O'Ring for Collars.....	AA215-001

Die Shims ea.....AA206-SHIM(0.5,1.0 & 1.5mm)

**Air Blow Punches & Guides**

[4] Shaped Punch .....	AA171-XXX
Round Punch .....	AA271-000
[5] Shaped Guides .....	AA172-XXX
Round Guides .....	AA272-000

