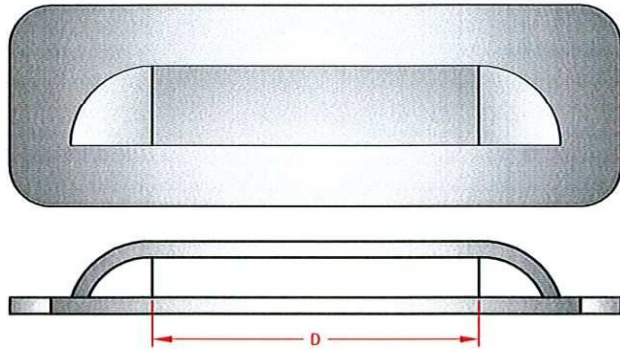
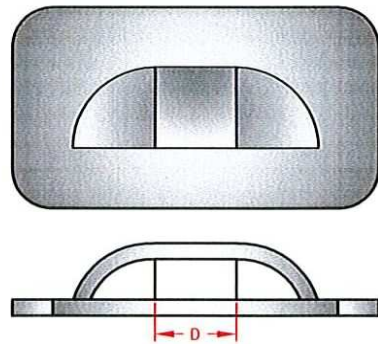
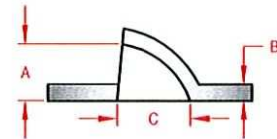


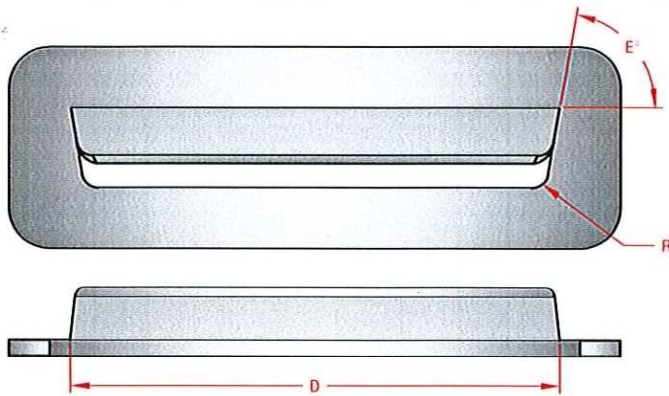
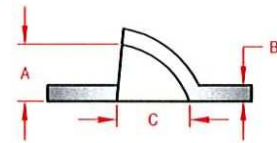
# Category 'C' Tool Selection Guide



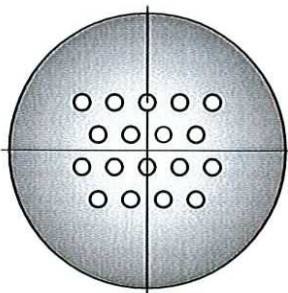
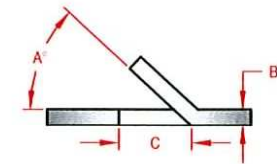
Louvre Tool Up  
-999



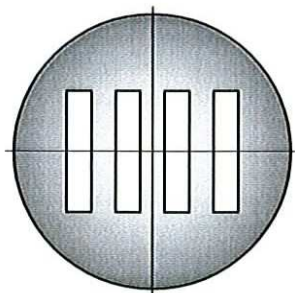
Nibble Louvre Tool Up  
-995



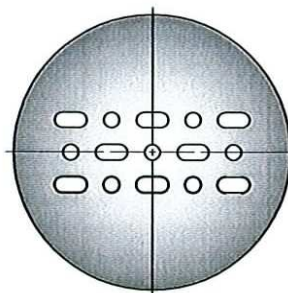
Air Louvre Tool Up  
-997



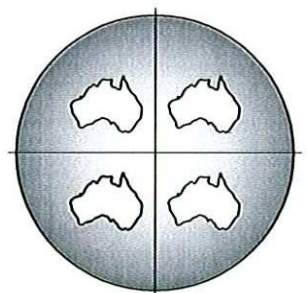
Pin Hole Cluster



Shaped Cluster



Multi Shaped Cluster



Special Shaped Cluster