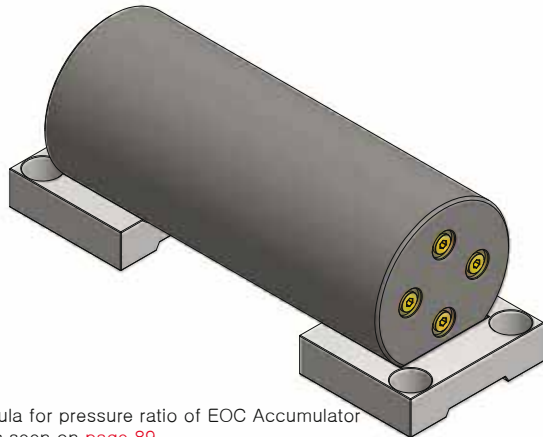
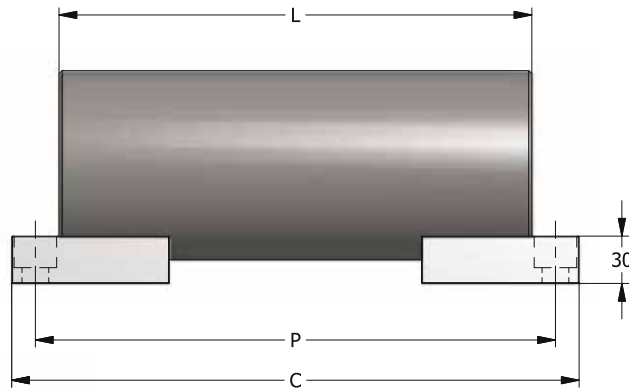
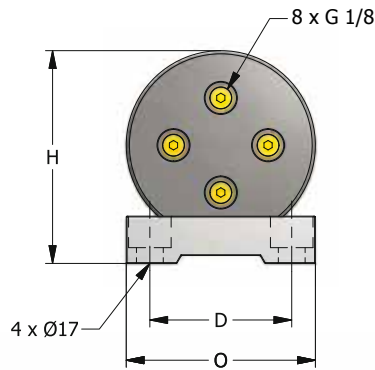




## PRESSURE DISTRIBUTION TANK

By connection with fitting system, EOC ACCUMULATOR keeps constant pressure level by minimize the difference between initial pressure and final pressure.



DESCRIPTION	VOLUME cm <sup>3</sup>	L mm	C mm	P mm	H mm	O mm	D mm
TAN050-25	1,260	300	360	330			
TAN050-50	2,510	550	610	580	115	95	65
TAN050-75	3,770	800	860	830			
TAN080-25	1,960	300	360	330			
TAN080-50	3,920	550	610	580	135	120	90
TAN080-75	5,880	800	860	830			
TAN125-25	3,060	310	370	340			
TAN125-50	6,130	560	620	590	165	150	120
TAN125-75	9,200	810	870	840			
TAN210-25	5,340	310	370	340	215	200	170
TAN210-50	10,680	560	620	590			

\* The formula for pressure ratio of EOC Accumulator System is seen on [page 89](#).

### HOW TO SPECIFY

### HOW TO SPECIFY

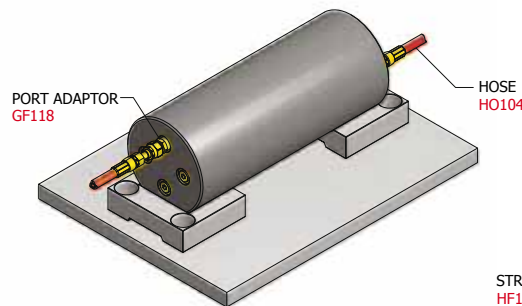
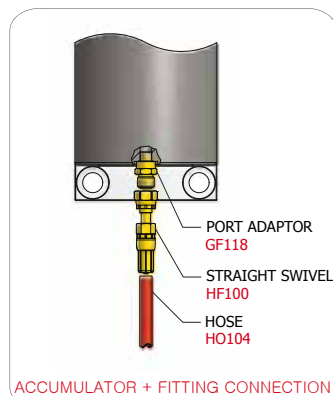
**TAN**

Accumulator

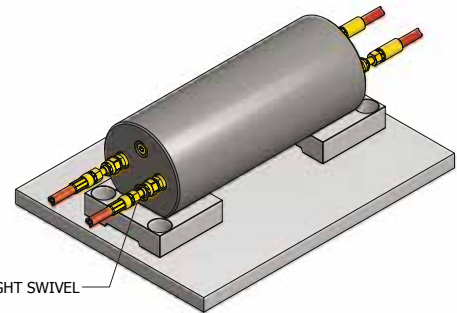
**080-75**

Specification

### ACCUMULATOR USE EXAMPLE



2 PORT USE



4 PORT USE