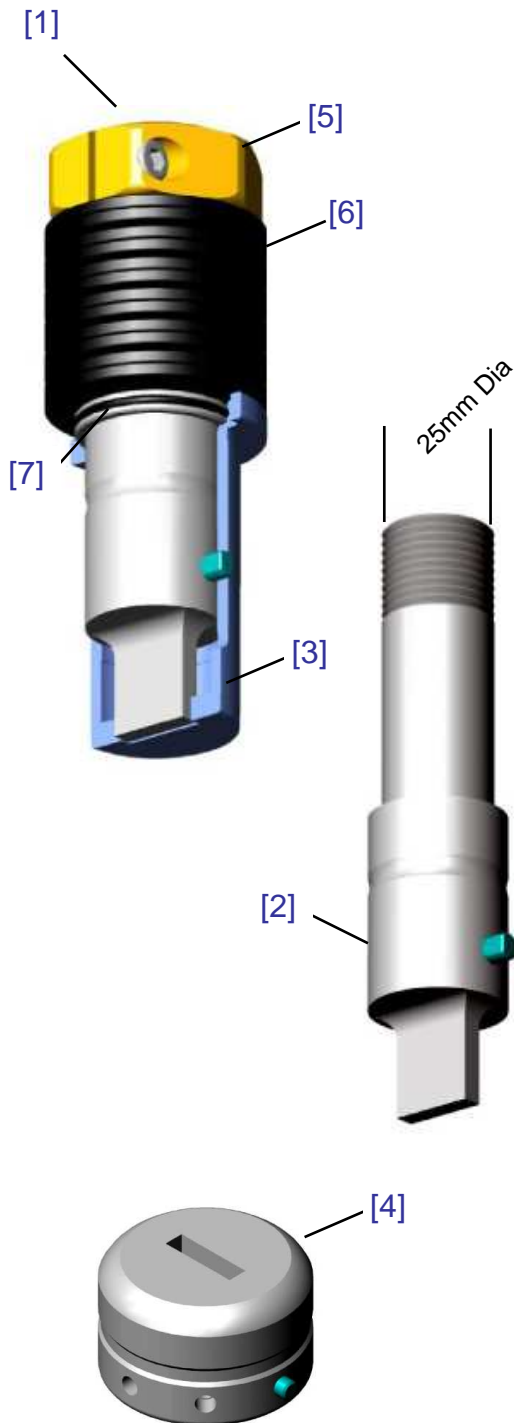


THIN TURRET



Shapes

[1] Complete Assembly	S200252-XXX
[2] Punch Only.....	S200255-XXX
[3] Guide Only(Hardened)	S49292H-XXX
[4] Die.....	S200537-XXX

Rounds

[1] Complete Assembly	S200332-000
[2] Punch Only.....	S200333-000
[3] Guide Only (Hardened)	S48528H-000
[4] Die.....	S200537-000

Assembly Parts

[5] Super Locking Head.....	S200267-000
[6] Disc Springs ea	S11666-000
(12 per set)	
[7] Punch Collar.....	S200259-000
Punch Collar (shim 1mm).....	S200259-1mm
Punch Collar (shim 2mm).....	S200259-2mm
Punch Collar (shim 3mm).....	S200259-3mm