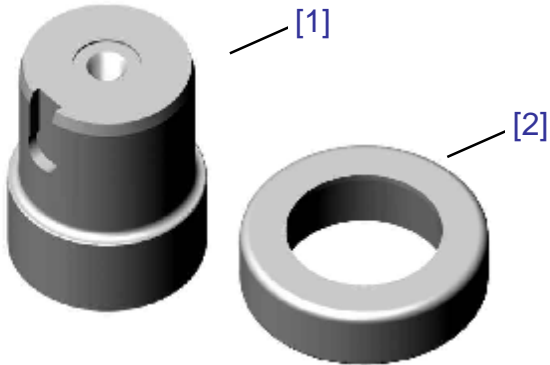


**WIEDEMANN
Style 114**

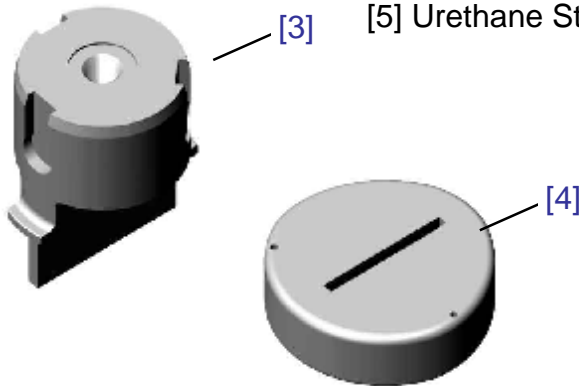
*Unless specified to the contrary all dies
will be cut SLUG FREE Style*



Rounds

75mm maximum dia

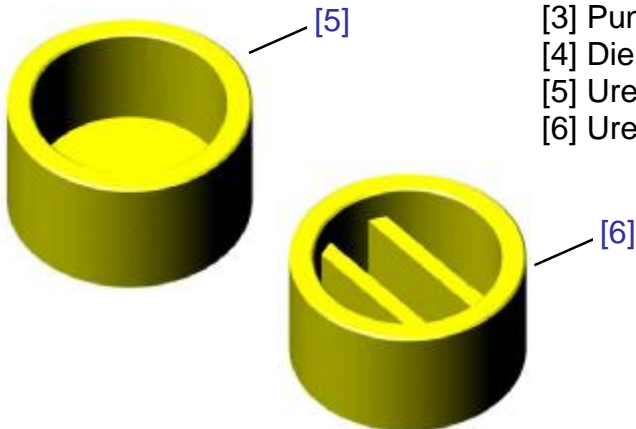
- [1] Punch W3550-000
- [2] Die W3556-000
- [5] Urethane Stripper W3503-000



Shapes

To 71mm maximum dia

- [3] Punch W3500-XXX
- [4] Die W3506-XXX
- [5] Urethane Stripper W3503-000
- [6] Urethane Stripper Supported W3503-RIB



GLOBAL TOOLS & MACHINES

Email: sales@globaltools.com.au

M: 0409 324 178

Web: www.globaltools.com.au